



SPICE

Linear LED light fixture with a variety of lengths, lights and optics.

SPICE system introduces an innovative approach to lighting design and energy efficiency. With a variety of high quality optics to choose from, and the flexibility to choose the desired length and light output of each run.

SPICE has an impressive Max. Efficiency of 153 lm/w (4000k / 80 CRI) and wide range of optics to suite most design needs. Units are seamlessly joined to create a continues lighting effect.

SPICE is designed for Indoor applications. Its small size makes it ideal for shops, hotels, public buildings, museums etc. It is available in 1 or 2 channels and wide range of color temperatures.

SPICE is indoor light fixture specially designed for wall grazing. It comes in 4 different lengths and is cleverly designed to maintain output regardless of the number of units connected together making large scale system installation simple and very cost effective.



	CRI		lm	lm/w				
IP 20	70-95 CRI	35W/Meter	5360lm/Meter	153lm/w	Mide /Wide /OV /WG	1800 - 6500K	Mono-chrom	RAL / Anodize

OUTPUT

LED System	Luxeon 3030 2D Mid Power LED / Luxeon 2835 Mid Power LED
Intensity	5360 Lumen per Meter / CRI 80 / 4000K / 700mA
Channel Range	1/2 Channel
Color Range	1800K / 2200K / 2700K / 3000K / 3500K / 4000K / 5000K / 5700K / 6500K
Optical System	Double Asymmetric (for aisle and shelf lighting) / Asymmetric (WG) / Asymmetric (WW) / Oval 93+34 / Oval 57+114 / Oval 88+108

ELECTRICAL

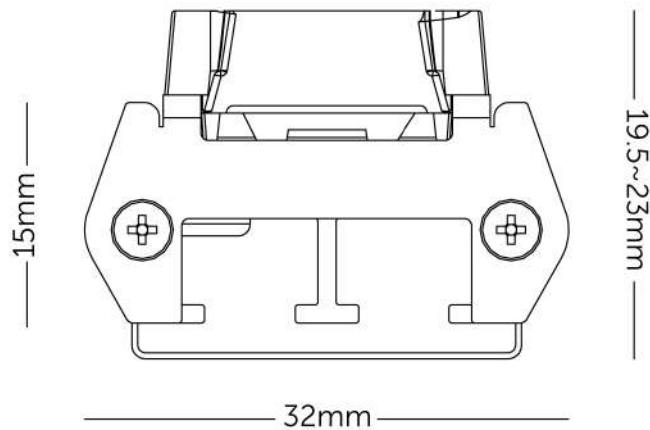
Control	External constant current driver
Input Voltage	42V
Consumption	35W Per Meter
Max LED's	112 LEDs
Efficiency LM/W	153lm/w
Connection	2 * 20AWG

ENVIRONMENTAL

IP Rating	20
Working Temp.	-20°C ~ 40°C / -4°F ~ 104°F
Storage Temp.	-20°C ~ 50°C / -4°F ~ 122°F

PHYSICAL

Size	Variable * H19.5 / 23mm (WG Lens) * W32mm
Housing	Aluminum Anodize

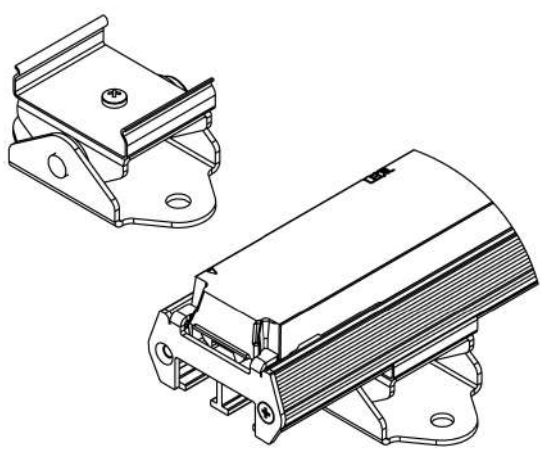


FIXTURE LENGTH

Length of Run	Number of LEDs	1800k	2200k	2700k	3000k	4000k	6500k	Watt	Watt/Meter
289mm	14	984	1210	1390	1440	1530	1500	10	
572mm	28	1968	2420	2780	2880	3060	3000	20	
1144mm	56	3936	4840	5560	5760	6120	6000	40	35
1716mm	84	5904	7260	8340	8640	9180	9000	60	
2288mm	112	7872	9680	11120	11520	12240	12000	80	

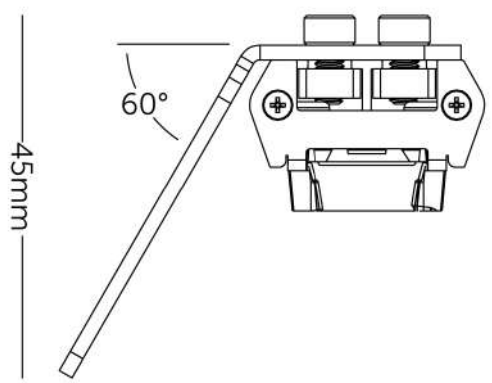
* Lumens Output @ full power

ACCESSORIES



35° Max
Tilt to each side

Adjustable Bracket



Light Cover

PINOUT

