

SPICE PENDENT

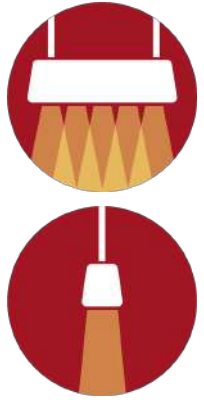
A versatile linear lighting for Indoor applications.



SPICE system introduces an innovative approach to lighting design and energy efficiency. With a variety of high quality optics to choose from, and the flexibility to choose the desired length and light output of each run.

SPICE has an impressive Max. Efficiency of 153 lm/w (4000K/80CRI) and wide range of optics to suite most design needs. Units are seamlessly joined to create a continues lighting effect.

SPICE is designed for Indoor applications. Its small size makes it ideal for shops, hotels, public buildings, museums etc. It is available in 1 or 2 channels and wide range of color temperatures.

SPICE PENDENT is an indoor light fixture pending from the ceiling. It comes in 4 different lengths and is cleverly designed to maintain output regardless of the number of units connected together making large scale system installation simple and very cost effective.



| | | | | | | | | |
|---|------------|---|-----------|-------------|---|---|---|---|
|  | CRI |  | lm | lm/w |  |  |  |  |
| IP 20 | 70-90 CRI | 35W/Meter | 5360 lm/m | 153 lm/w | Mide / Wide / OV / WG | 2200 - 6500K | Monochrom | RAL / Anodize |

OUTPUT

| | |
|----------------|---|
| LED System | LUXEON 3030 2D Mid Power LED |
| Intensity | 5360 Lumen per Meter / CRI 80 / 4000K / 700mA |
| Channel Range | 1 Channel |
| Color Range | 2200K / 2700K / 3000K / 3500K / 4000K / 5000K / 5700K / 6500K |
| Optical System | Double Asymmetric (for aisle and shelf lighting) / Asymmetric (WG) / Asymmetric (WW) / Oval 93+34 / Oval 57+114 / Oval 88+108 |

ELECTRICAL

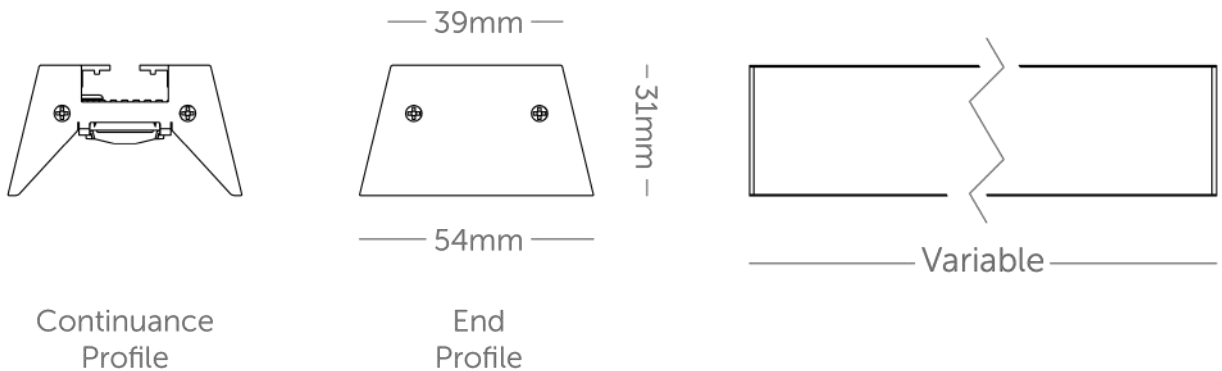
| | |
|-----------------|---------------------------------------|
| Control | External LED driver |
| Input Voltage | 42V |
| Consumption | 35 w/m |
| Max LED's | 112 LEDs |
| Efficiency LM/W | 153 lm/w |
| Connection | 20AWG Red /Black cable With connector |

ENVIRONMENTAL

| | |
|---------------|-----------------------------|
| IP Rating | IP 20 |
| Working Temp. | -20°C ~ 40°C / -4°F ~ 104°F |
| Storage Temp. | -20°C ~ 50°C / -4°F ~ 122°F |

PHYSICAL

| | |
|---------|-------------------------------------|
| Size | Variable * H31mm * W54mm |
| Housing | Anodized Aluminum with clear Lenses |

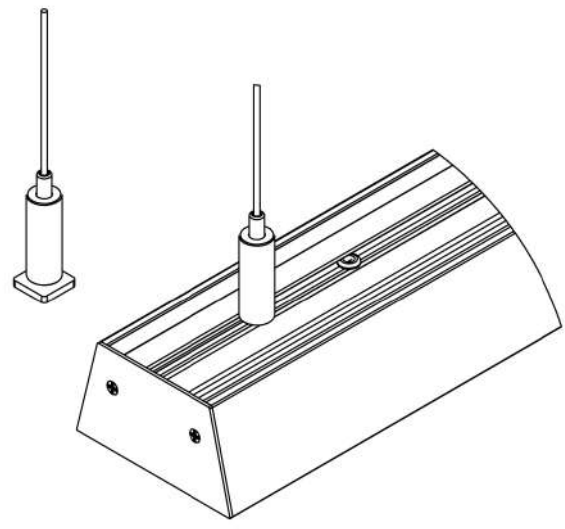


FIXTURE LENGTH

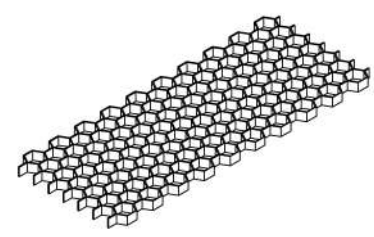
| Length of Run | Number of LEDs | 2200k | 2700k | 3000k | 4000k | 6500k | Watt | Watt per Meter |
|---------------|----------------|-------|-------|-------|-------|-------|------|----------------|
| 289mm | 14 | 1210 | 1390 | 1440 | 1530 | 1500 | 10 | |
| 572mm | 28 | 2420 | 2780 | 2880 | 3060 | 3000 | 20 | |
| 1144mm | 56 | 4840 | 5560 | 5760 | 6120 | 6000 | 40 | 35 |
| 1716mm | 84 | 7260 | 8340 | 8640 | 9180 | 9000 | 60 | |
| 2288mm | 112 | 9680 | 11120 | 11520 | 12240 | 12000 | 80 | |

* Lumens Output @ 120mA

ACCESSORIES



Suspension System



Honeycomb

PINOUT

