

RESIST+

Small size and Powerfull Linear fixture with Internal Driver and Various Mounting Options.









Resist+ with an internal driver is the perfect linear solution for various mounting options: ground, wall, ceiling, or suspension.

Up to 50 meters of fixtures can be connected in parallel, saving time and money in the installation process.

Resist+ offers multiple light distributions: narrow, medium, wide, and wall grazing. The fixture can be installed vertically or horizontally and together with its +/- 90° tilt option, a 360° rotation can be achieved.

Resist+ is available with white light and RGBW.



	CRI		lm	lm/w				
IP 67	80-95 CRI	50W/Meter	5520lm/M	111lm/w	6° -47° /OVAL	2200 - 6500K	Mono /RGBW	RAL /Anodize

OUTPUT

LED System	High Power Luxeon Z ES / Rebel Plus / Rebel
Intensity	5520 lm per 100cm / CRI 80 / 4000K / 700mA
Channel Range	1 Channels (White), 4 Channles (RGBW)
Color Range	2200K / 2700K / 3000K / 3500K / 4000K / 5000K / 5700K / 6500K / RGBW
Optical System	6° / 8° / 12° / 14° / 21° / 26° / 30° / 36° / 47° / Oval 47X12° / 12X47° / 46X10° / 47X10°

ELECTRICAL

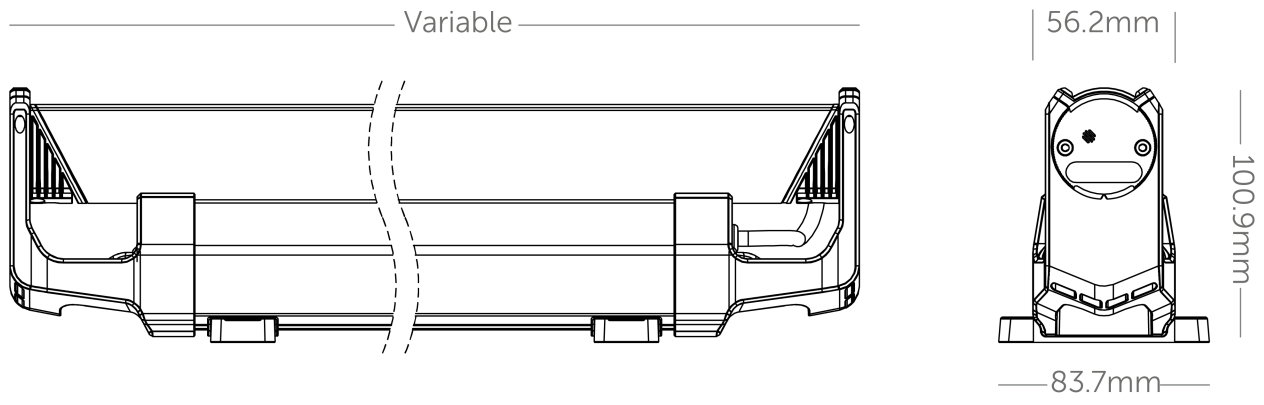
Control	Internal Driver on/off, 1-10V, DALI ,DMX Options.
Input Voltage	220-240 VAC
Consumption	Max. 60W
Max LED's	28 LEDs
Efficiency LM/W	111 lm/w @ 700mA
Connection	3* 1.5mm ² Cable.

ENVIRONMENTAL

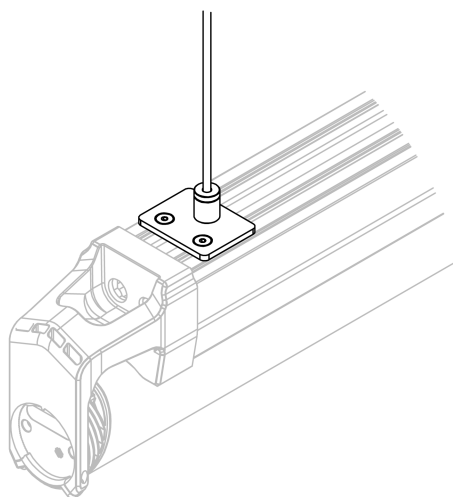
IP Rating	IP 67
Working Temp.	-18°C ~ 40°C / 0°F ~ 104°F
Storage Temp.	-18°C ~ 60°C / 0°F ~ 140°F

PHYSICAL

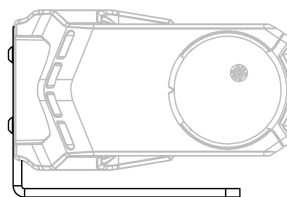
Size	Variable * H98mm * W46.5mm
Housing	Anodize Aluminum UV stabilized V0 optical grade



BRACKETS



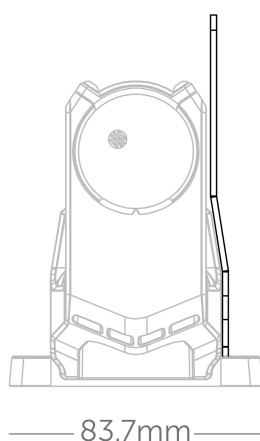
PENDANT



90° Bracket

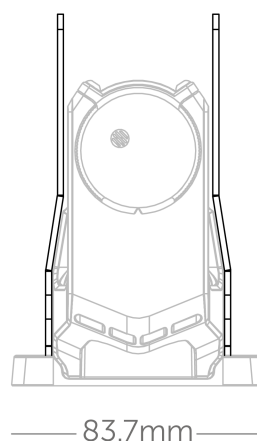
W 100 * H 66mm

ACCESSORIES



Light Shade

W Variable * H 123mm



Two-sided Light Shade

W Variable * H 123mm

PINOUT

