



GINGER XL-S

Larger size free-standing GINGER spotlight for outdoor or indoor lighting.

GINGER XL is a larger Ginger model for applications in which 500- 1000 lumens are needed. The unit's light output ranges from 570 to 990 (2700K in 90CRI to 5700K in 70CRI), with a choice of optics ranging from 9 to 37 degrees plus Oval optics. Furthermore, the unit's dark-light design ensures quality light while minimizing glare.



GINGER XL with its cooling method and a concealed cable PG is also optional in RGBW configuration. The **GINGER XL** is the smallest color changer in the dled line.

GINGER XL S is a free-standing spotlight for outdoor or indoor applications. This line is ideal for illuminating facades and niches, spas and pool areas, landscape lighting, and scenery, counters and shelves, indoor and outdoor use, at home and office



	CRI		lm	lm/w				
IP 67	70-90 CRI	8.4W	792lm	95 lm/w	9/20/28/37/OV	2700K ~ 6500K	Mono/RGBW	RAL / Anodize

OUTPUT

LED System	Luxeon M white / OSRAM Multi Color LED
Intensity	792 lumens @ full power CRI 80 4000K
Channel Range	1 / 4 Channels
Color Range	2700K / 3000K / 3500K / 4000K / 5000K / 5700K / 6500K / RGBW
Optical System	9 / 20 / 28 / 37 / OVAL 48X20 FOR WHITE 28 / 37 / OVAL FOR RGBW(4000K)

ELECTRICAL

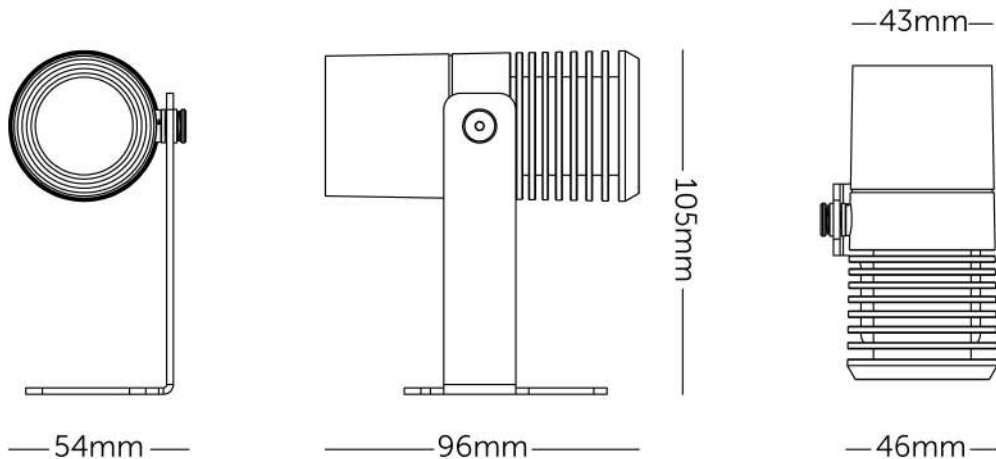
Control	Constant current driver / 24V with Mini CC2CV
Input Voltage	6V/1400mA & 12V/700mA
Consumption	8.4W
Max LED's	1 LED
Efficiency LM/W	95lm/w @ 4000K 80CRI @ 700mA
Connection	22AWG 2C Concealed cable PG

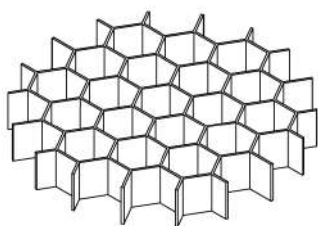
ENVIRONMENTAL

IP Rating	IP 67
Working Temp.	-18°C ~ 40°C / 0°F ~ 104°F
Storage Temp.	-18°C ~ 60°C / 0°F ~ 140°F

PHYSICAL

Size	H96 * Ø46mm
Housing	Anodized Aluminum





Hobeycomb
Cell W 5.2mm, H 3.2mm

