

GINGER SN

The Choice For maximizing Oval Optics

GINGER SN (Short Nose) is a special version of Ginger, a line of spotlights affording a small and slick design and leading-edge technology, for the Specific Use of Oval optics & Outdoor Up-light Lighting.

GINGER SN is a free-standing spot fixture, having a smart base that allows the fixture to be adjusted vertically. Although it is small in size, it affords a mighty light output of 216lm (3000K 80CRI), thanks to the new Luxeon Z-ES LED.

Unlike **GINGER** with its dark-light design, the **GINGER SN** is a perfect match for up lights and for Oval Optics when quality and accuracy are important and wide oval lenses are essential.



	CRI		lm	lm/w				
IP 67	70-90	2.1W	216Lumen	103lm/w	55X8° / 54X10° / 53X7°	2200 - 6500K	Monochrom	RAL / Anodize

OUTPUT

LED System	Luxeon Z ES
Intensity	216lm @ full power CRI 80 3000K
Channel Range	1 Channel
Color Range	2200K /2700K / 3000K / 3500K / 4000K / 5000K /5700K / 6500K
Optical System	8° / 14° / 28° / 44° /Oval 54X10°

ELECTRICAL

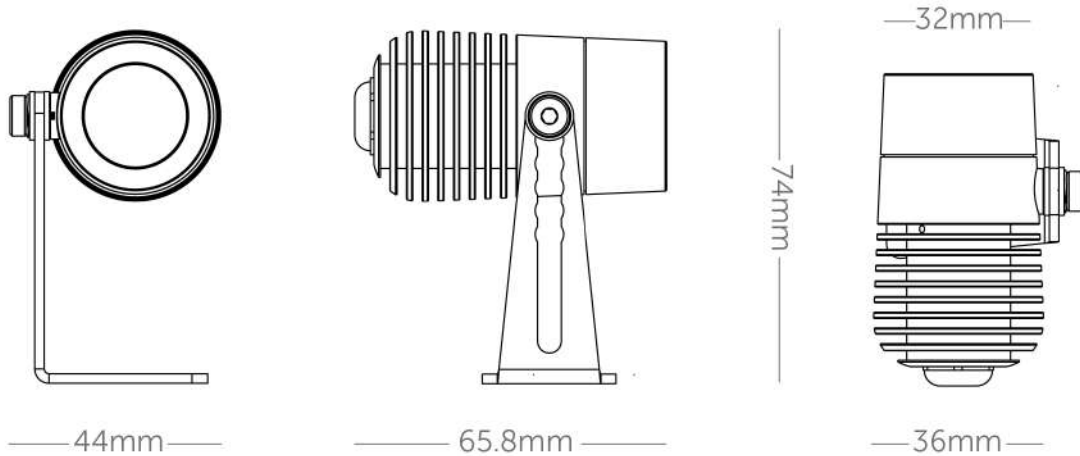
Control	Constant current driver / 24V with Mini CC2CV
Input Voltage	3V
Consumption	2.1W @ 700mA
Max LED's	1 Led
Efficiency LM/W	103lm/w
Connection	2 * 20AWG Neoprene Cable

ENVIRONMENTAL

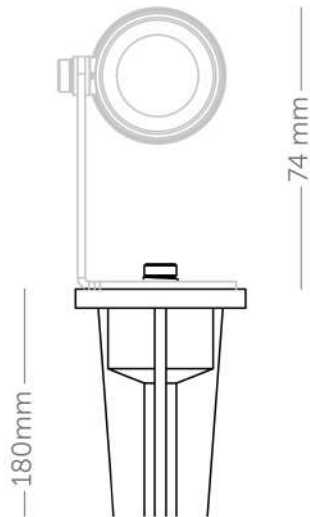
IP Rating	IP 67
Working Temp.	-18°C ~ 40°C / 0°F ~ 104°F
Storage Temp.	-10°C ~ 60°C / 14°F ~ 140°F

PHYSICAL

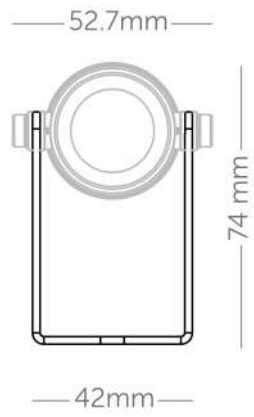
Size	
Housing	Aluminum Anodize



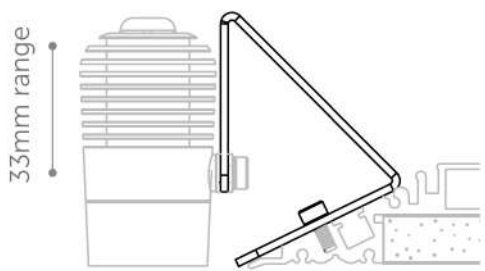
BRACKETS



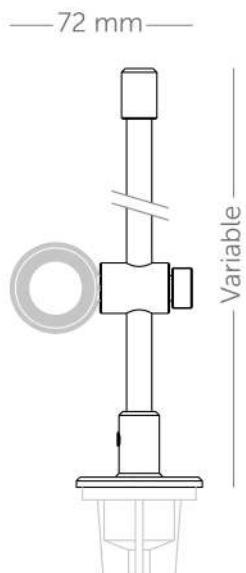
Spike Bracket



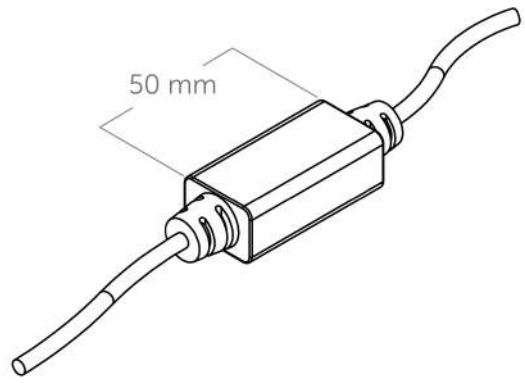
U Bracket



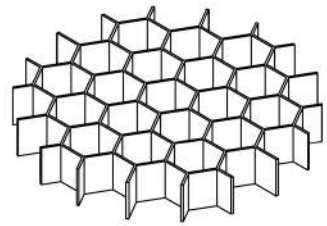
Knif Edge Profile Bracket



Rod Bracket

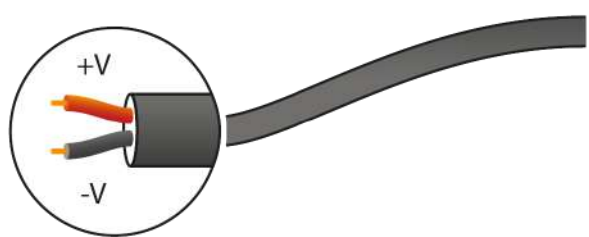


CC to CV Adapter



Honeycomb

ACCESSORIES



PINOUT