

GINGERS/ GINGER 400

Free standing spotlight for outdoor or indoor application.

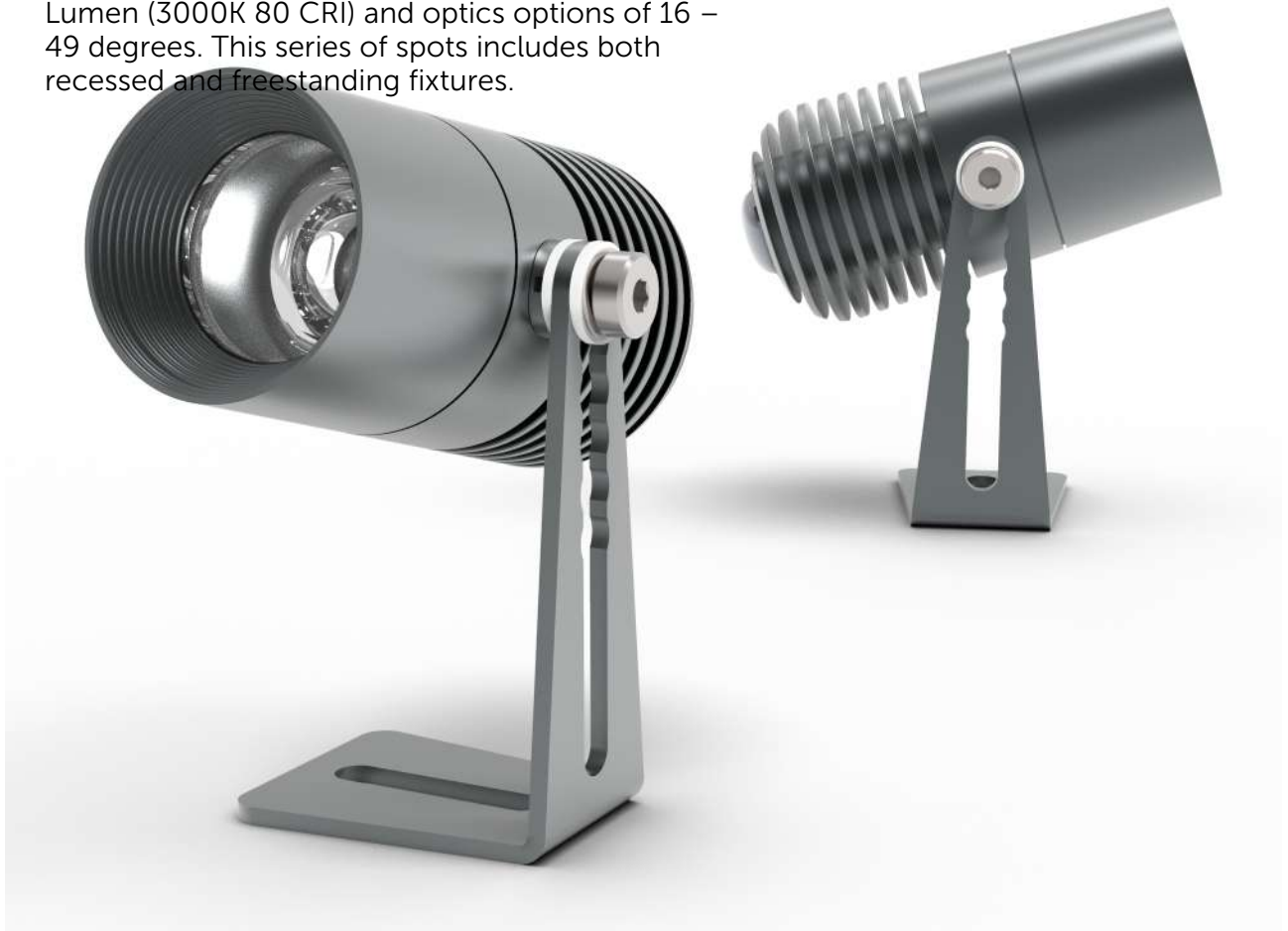
GINGER is a line of spotlights affording a small and slick design and leading-edge technology. The series of spots includes both recessed and freestanding fixtures and allows for serial or parallel connection (with Mini CC2CV)









GINGERS is a free-standing spot fixture, having a smart base that allows the fixture to be adjusted vertically. Although it is small in size, it affords a mighty light output of 216lm (3000K 80CRI), thanks to the new Luxeon Z-ES LED. Optics vary from 8 to 44 degrees (for Oval please check Ginger SN). Furthermore, GINGER is dark-light design ensures a pure light without glare.

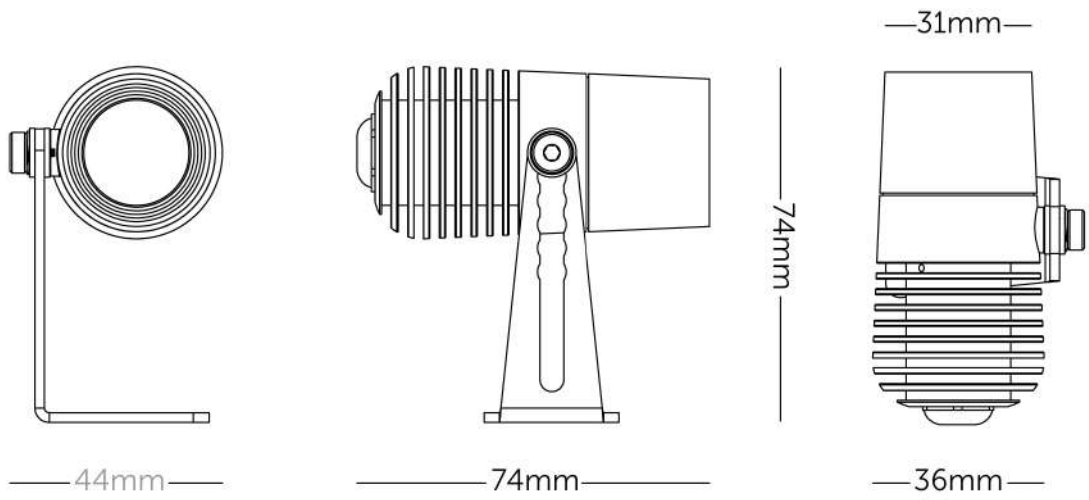
GINGER 400 is a new line of spotlights with higher light output of up to 470 lumen thanks to Luxeon 5050 Led.

GINGER 400 S is offered with a Max output of 470 Lumen (3000K 80 CRI) and optics options of 16 – 49 degrees. This series of spots includes both recessed and freestanding fixtures.

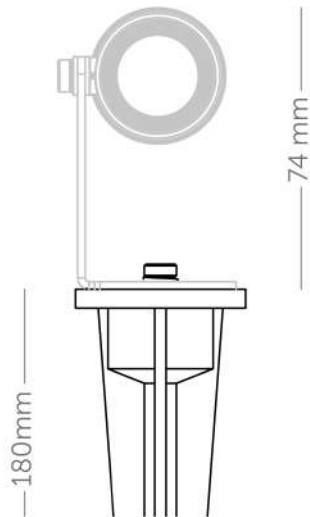


	CRI		lm	lm/w				
IP 67	70-90	MAX. 2.1/4.2W	216/470	103/112 lm/w	8° ~ 49° / OV	2200K ~ 6500K	Monochrom	RAL / Anodize

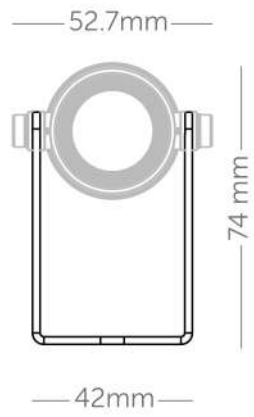
	GINGER S	GINGER S 400
OUTPUT	Luxeon Z-ES	Luxeon 5050
LED System	216 lm @ full power CRI 80 3000K	470 lm @ full power CRI 80 3000K
Intensity	1 Channel	1 Channel
Channel Range	2200K / 2700K / 3000K / 3500K / 4000K / 5000K / 5700K / 6500K / COLORS	2200K / 2700K / 3000K / 3500K / 4000K / 5000K / 5700K / 6500K
Color Range	8° / 14° / 28° / 44° / OVAL 54*10°	8° / 18° / 28° / 49°
Optical System		
ELECTRICAL		
Control	Constant current driver / 24V with Mini CC2CV	Constant current driver / 24V with Mini CC2CV
Input Voltage	3V @ 700mA / 24V with Mini CC2CV	6V @ 700mA / 24V with Mini CC2CV
Consumption	2.1W @ 700mA / 3.15W @1050mA	4.2W @ 700mA
Max LED's	1 LED	1 LED
Efficiency LM/W	103lm/w	112lm/w
Connection	2 * 22AWG Neoprene Cable	22AWG 2C, Concealed cable PG
ENVIRONMENTAL		
IP Rating	IP 67	IP 67
Working Temp.	-18°C ~ 40°C / 0°F ~ 104°F	-18°C ~ 40°C / 0°F ~ 104°F
Storage Temp.	-18°C ~ 60°C / 0°F ~ 140°F	-18°C ~ 60°C / 0°F ~ 140°F
PHYSICAL		
Size	H74 * Ø36mm	H74 * Ø36mm
Housing	Anodized Aluminum	Anodized Aluminum



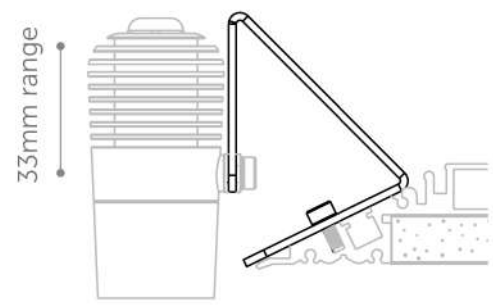
BRACKETS



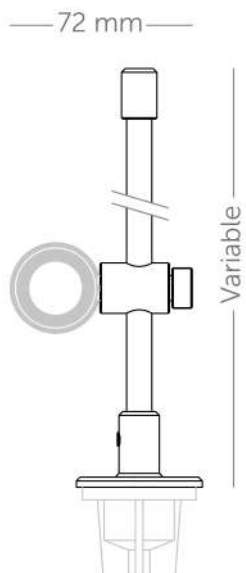
Spike Bracket



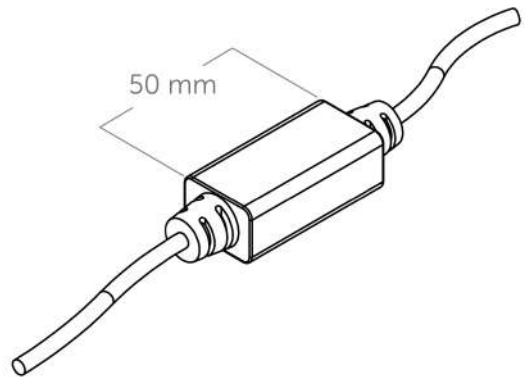
U Bracket



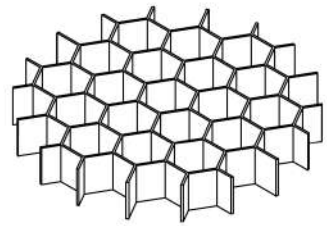
Knif Edge Profile Bracket



Rod Bracket

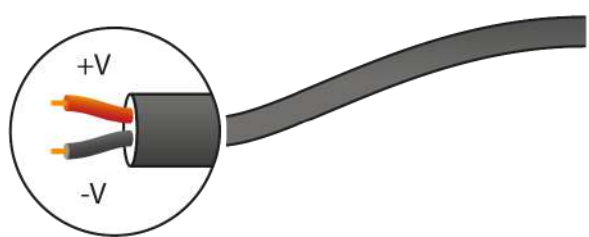


CC to CV Adapter



Honeycomb

ACCESSORIES



PINOUT