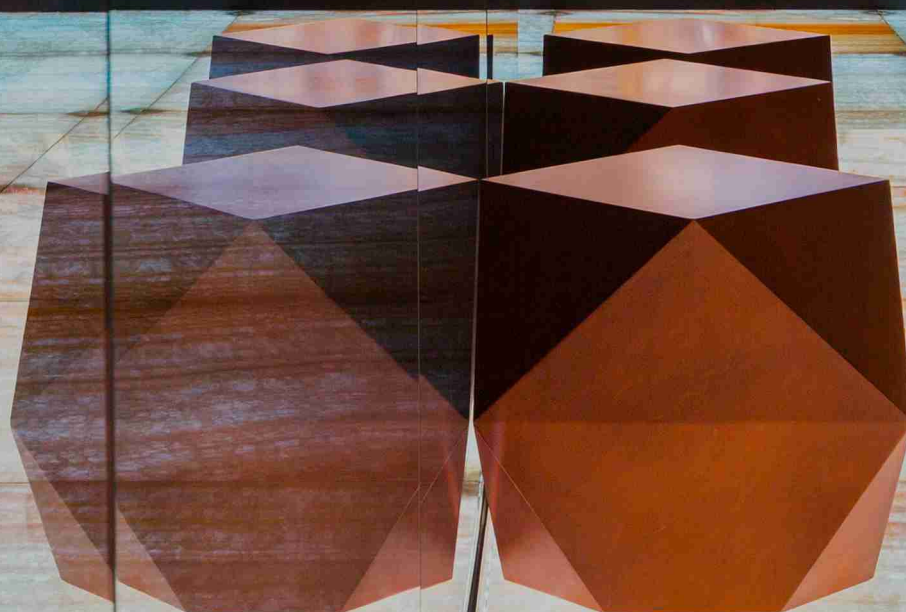
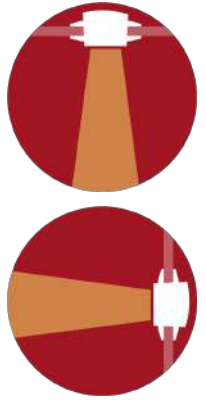


# GINGER R / GINGER 400

*MicroSpot for outdoor or indoor  
ceiling recessed installation.*



**GINGER** is a line of spotlights affording a small and slick design and leading-edge technology. The series of spots includes both recessed and freestanding fixtures. **GINGER 400** is a new line of spotlights with higher light output of 470lm thanks to Luxeon 5050 Led. Option for Serial or parallel connection (24V)



Although **GINGER** is small in size, it affords a mighty light output of 216 lm, thanks to the new Luxeon Z-ES LED. Furthermore, **GINGER's** dark-light design ensures pure light without glare.

**GINGER** has a smart design, incorporating a unique cooling method, and a concealed cable PG, to provide a slim cutout where its anodized color lends the final touch of an artist.

**GINGER R** is a spotlight for outdoor or indoor ceiling recessed installation. This line is ideal for illuminating facades and niches, spas and pool areas, landscape lighting and scenery, counters and shelves, indoor and outdoor use, at home and/or in the office.



		<b>CRI</b>		<b>lm</b>	<b>lm/w</b>				
Ø42mm	IP 67	Min 90	3W	216/470lm	103/112lm/w	8° -49° / OV	2200K - 6500k	Monochrome	RAL / Anodize



<b>OUTPUT</b>	<b>GINGER R</b>
LED System	Luxeon Z-ES
Intensity	216lm @ full power* CRI 95 3000K
Channel Range	1 Channel
Color Range	2200 / 2700K / 3000K / 3500K / 4000K / 5000K / 5700K / 6500K / COLORS
Optical System	8° / 14° / 28° / 44° / Oval 54° * 10°

<b>ELECTRICAL</b>	
Control	Constant current driver / 24V with Mini CC2CV
Input Voltage	3V @ 700mA / 24V with Mini CC2CV
Consumption	2.1W @ 700mA, 3.15W @1050mA
Max LED's	1 LED
Efficiency LM/W	103lm/w
Connection	22AWG 2C Concealed cable PG

**ENVIRONMENTAL**

IP Rating	IP 67
Working Temp.	-18°C ~ 40°C / 0°F ~ 104°F
Storage Temp.	-18°C ~ 60°C / 0°F ~ 140°F

**PHYSICAL**

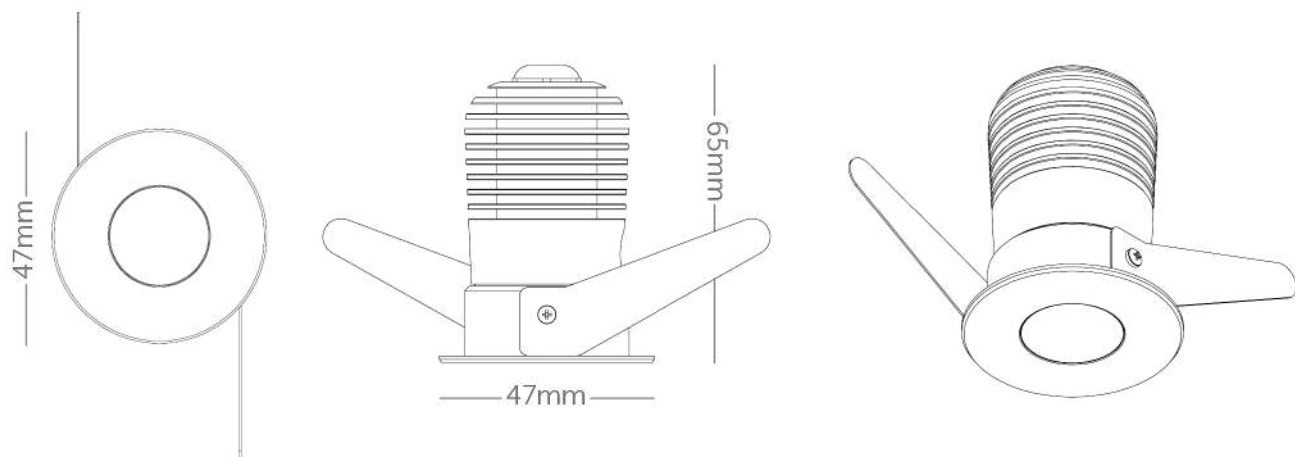
Size	H65 * Ø47mm (ID Ø36mm)
Housing	Anodize Aluminum

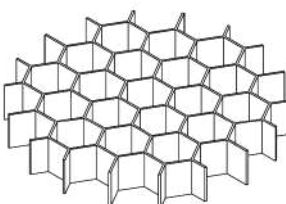
<b>GINGER R 400</b>
Luxeon 5050 white
470 lm @ full power CRI 80 3000K
1 Channel
2200K / 2700K / 3000K / 3500K / 4000K / 5000K / 5700K / 6500K
8° / 18° / 30° / 49° / Oval 52° * 20°

Control	Constant current driver / 24V with Mini CC2CB
Input Voltage	6V @ 700mA / 24V with Mini CC2CV
Consumption	4.2W @ 700mA
Max LED's	1 LED
Efficiency LM/W	112lm/w
Connection	22AWG 2C, Concealed cable PG

IP Rating	IP 67
Working Temp.	-18°C ~ 40°C / 0°F ~ 104°F
Storage Temp.	-18°C ~ 60°C / 0°F ~ 140°F

Size	H65 * Ø47mm (ID Ø36mm)
Housing	Anodized Aluminum





Honeycomb

