

A lush garden at night, illuminated by a spotlight. The scene is filled with various green plants, including ferns and broad-leafed species. The lighting creates a dramatic contrast between the brightly lit areas and the deep shadows of the night.

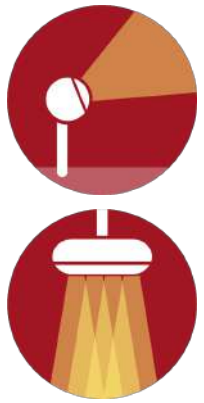
CAPSULE

A light fixture to be placed on the ground with a spike.

Small and powerful outdoor LED fixture. **CAPSULE** generates the equivalent of 50W halogen light using the latest generation Luxeon Rebel ES LEDs.

Designed originally for Extreme conditions, The **CAPSULE** is robust and capable of working in any climate conditions. With a Wide Variety of Lenses Ranging from 24-46° and a reflector option for over 70° spread. Color Temp ranging from 2700-5000K and CRI of 80 and a wide variety of colors are available.

CAPSULE is simple to install and use, and requires only a standard low voltage power supply. Several units can be daisy chained together to one power source.



	CRI		lm	lm/w				
IP67	80	13W	1080	90lm/w	16° / 25° / 45° / OV / 110°	2700 - 5000K	Red/Green...	RAL / Black Anodize

OUTPUT

LED System	High Power Luxeon Rebel ES
Intensity	1080lm @ full power CRI 80 4000K
Channel Range	1 Channel
Color Range	2700K / 3000K / 3500K / 4000K / 5000K / Red / Green / Blue / Amber
Optical System	24° / 30° / 46° / Oval 24* 44° / 70°

ELECTRICAL

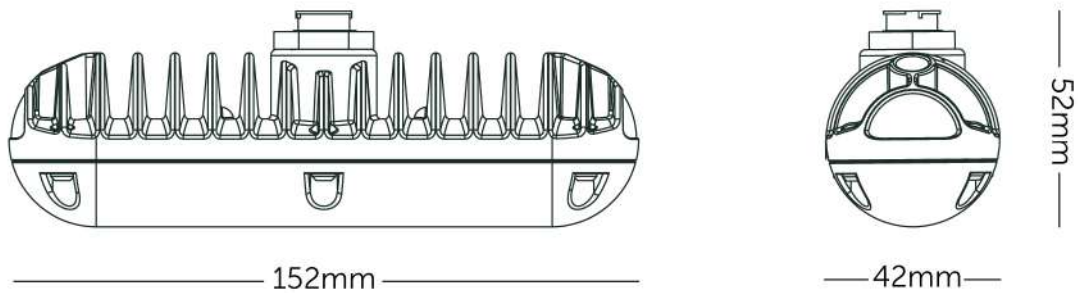
Control	DOB - (12-36)V DC / Remote - External
Input Voltage	12-36V DC
Consumption	4 LEDs - 8.5w / 6 LEDs - 12.5w
Max LED's	6 LEDs
Efficiency LM/W	90 lm/w @ 4000K
Connection	4 pin neoprene cable 2 x 0.75mm ²

ENVIRONMENTAL

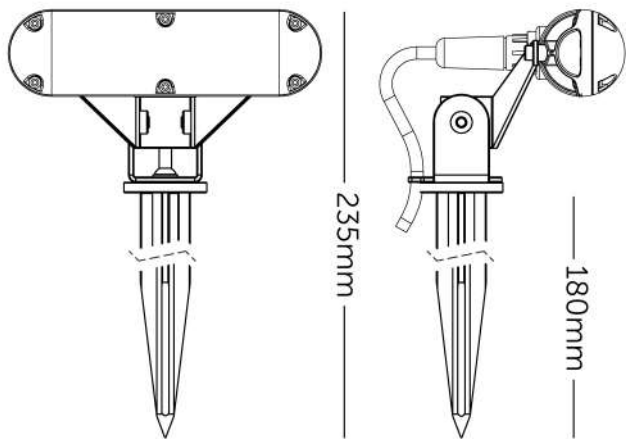
IP Rating	IP 67
Working Temp.	-18°C ~ 40°C / 0°F ~ 104°F
Storage Temp.	-10°C ~ 60°C / 14°F ~ 140°F

PHYSICAL

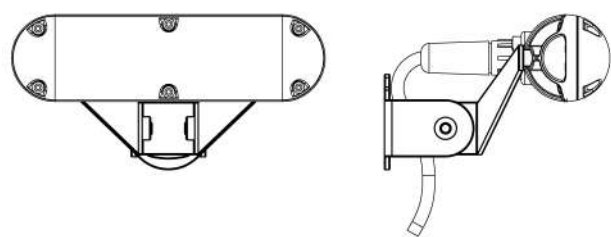
Size	L152mm * H52mm * W42mm
Housing	Powder coated Aluminum UV protected Polycarbonate



BRACKETS

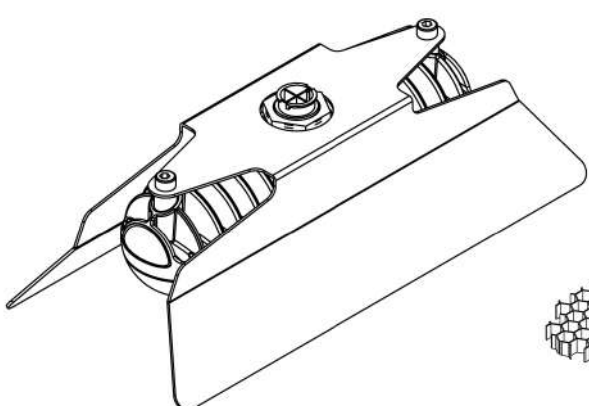


Spike Bracket

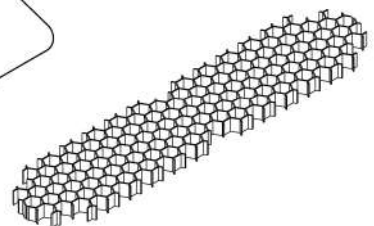


Wall Bracket

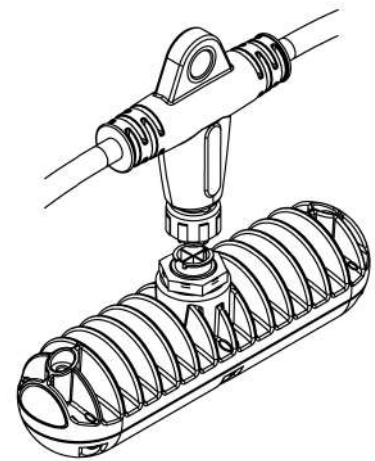
ACCESSORIES



Light Cover



Honeycomb



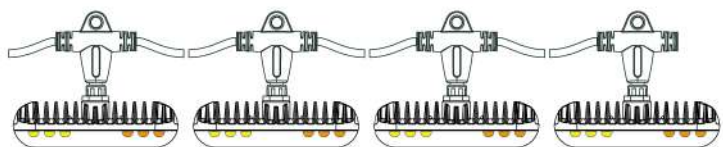
Daisy Chain

DAISY CHAIN



- 1 Red +V
- 2 Orange +V
- 3 Brown -V
- 4 Black -V

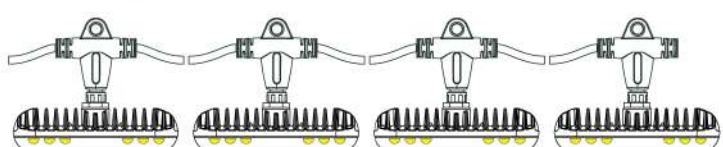
4 Fixtures Linear Daisy Chain 2 Channels control



Length Chart

Total Daisy Chain	14.5M
To 1st Fixture	2.5M
Between Fixtures	3.4M

4 Fixtures Parallel Daisy Chain 1 Channel On/Off control



Length Chart

Total Daisy Chain	28M
To 1st Fixture	7M
Between Fixtures	7M